

Thermostatic head with remote sensor

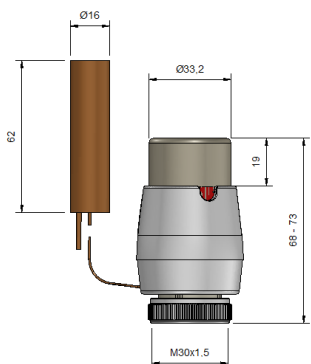
DISTANT

1. APPLICATION:

The DISTANT thermostatic head is a radiator temperature controller used to control the temperature of rooms equipped with channel heaters or when the heating device is built-in or covered. Element The temperature measurement (sensor) is outside the control part, and their connection is made through a special capillary. The DISTANT thermostatic head is designed for cooperation with radiator valves and valve inserts with M30x1,5 connection.

2. BASIC FEATURES

TYPE DISTANT



3. TECHNICAL DATA

Range	8°C-30°C
Maximum external temperature	50°C
Closure time	24 min.
Pressure difference impact	< 0,4K
The length of the capillary	2 m.

Regulation scale corresponding to the following temperature:

•	1	2	3	4	5	6
8°C	12°	16°	20°	24°C	28°	30°C

4. ASSEMBLY

In order to ensure correct operation, the temperature measurement element (sensor) of the head should be mounted on the interior wall of the room in such a way as to allow free air flow around the sensor. The head is mounted in a vertical position, and all installation operations are carried out with the head set to the "6" setting.

Recommendation:

After the heating season, it is recommended to set the thermostatic head to the "6" setting.

Terms of Warranty:

- The manufacturer provides a warranty for a **period of 3 years** from the date of purchase.
- Defects revealed during the warranty period will be removed free of charge within 14 business days from the date of their submission.
- Reporting a defect or damage is accepted by e-mail reklamacje@varioterm.pl or by phone (022) 8724214.
- In order to perform a warranty repair, a defective product should be delivered to the VARIO TERM office with a description of the reason for the complaint and a copy of the proof of purchase.
- The warranty **does not** cover parts which are subject to natural wear during service life, defects resulting from incompatible assembly and use, defects bearing mechanical or thermal damage or traces of user interference in the construction.
- The buyer loses all rights resulting from the warranty in the case of:
 - loss or destruction of proof of purchase,
 - making unauthorized repairs, dismantling,
 - improper or inconsistent with the instructions for use.

Thermostatic head with remote sensor

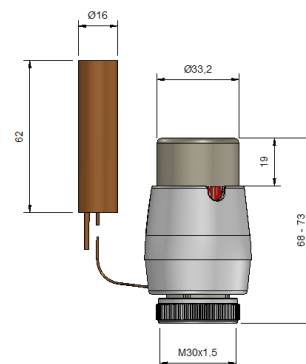
DISTANT

1. APPLICATION:

The DISTANT thermostatic head is a radiator temperature controller used to control the temperature of rooms equipped with channel heaters or when the heating device is built-in or covered. Element The temperature measurement (sensor) is outside the control part, and their connection is made through a special capillary. The DISTANT thermostatic head is designed for cooperation with radiator valves and valve inserts with M30x1,5 connection.

2. BASIC FEATURES

TYPE DISTANT



3. TECHNICAL DATA

Range	8°C-30°C
Maximum external temperature	50°C
Closure time	24 min.
Pressure difference impact	< 0,4K
The length of the capillary	2 m.

Regulation scale corresponding to the following temperature:

•	1	2	3	4	5	6
8°C	12°	16°	20°	24°C	28°	30°C

4. ASSEMBLY

In order to ensure correct operation, the temperature measurement element (sensor) of the head should be mounted on the interior wall of the room in such a way as to allow free air flow around the sensor. The head is mounted in a vertical position, and all installation operations are carried out with the head set to the "6" setting.

Recommendation:

After the heating season, it is recommended to set the thermostatic head to the "6" setting.

Terms of Warranty:

- The manufacturer provides a warranty for a **period of 3 years** from the date of purchase.
- Defects revealed during the warranty period will be removed free of charge within 14 business days from the date of their submission.
- Reporting a defect or damage is accepted by e-mail reklamacje@varioterm.pl or by phone (022) 8724214.
- In order to perform a warranty repair, a defective product should be delivered to the VARIO TERM office with a description of the reason for the complaint and a copy of the proof of purchase.
- The warranty **does not** cover parts which are subject to natural wear during service life, defects resulting from incompatible assembly and use, defects bearing mechanical or thermal damage or traces of user interference in the construction.
- The buyer loses all rights resulting from the warranty in the case of:
 - loss or destruction of proof of purchase,
 - making unauthorized repairs, dismantling,
 - improper or inconsistent with the instructions for use.