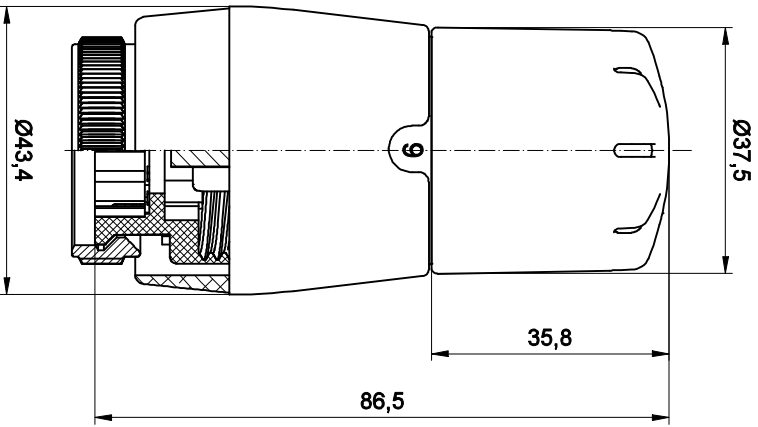
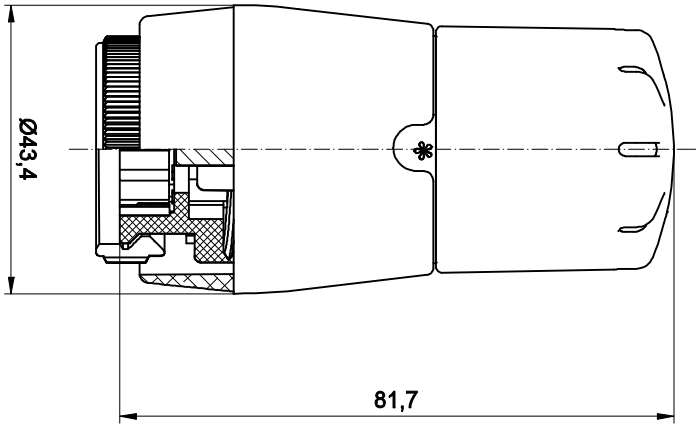


**TRENDY**  
**GS.05-106C**



Element	Parts list	Description
1	Body	
2*	Nut M30x1,5 (brass or plastic)	
3	Tube	
4	Setting set	
5	Blocking spindle	